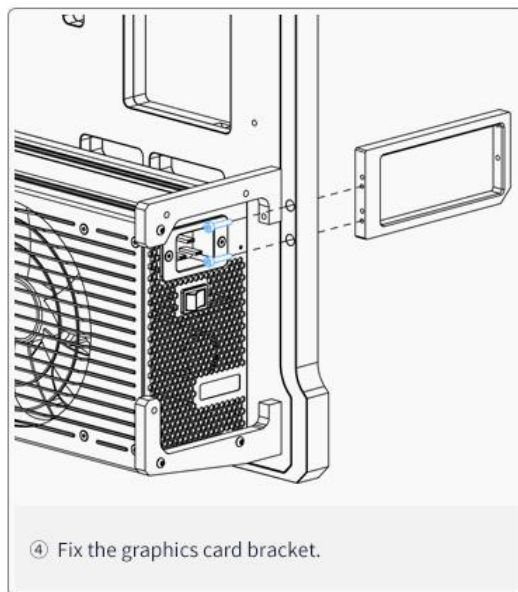
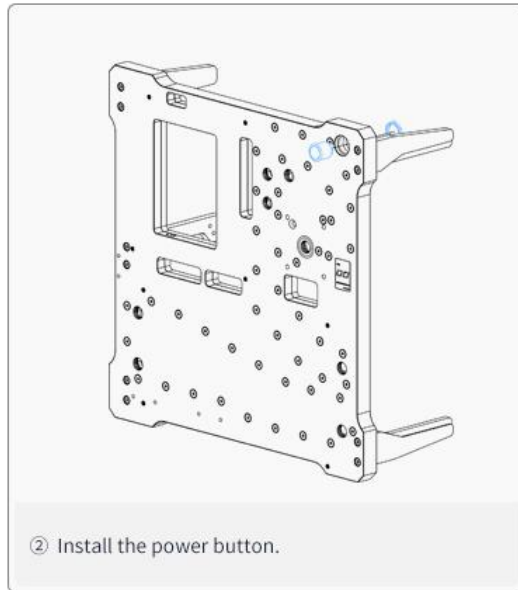
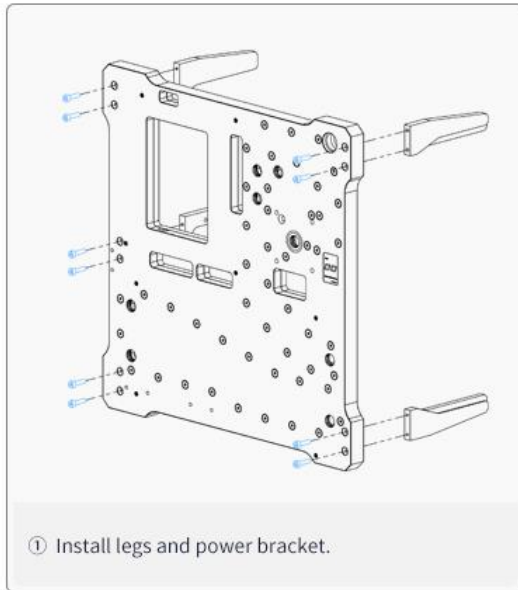
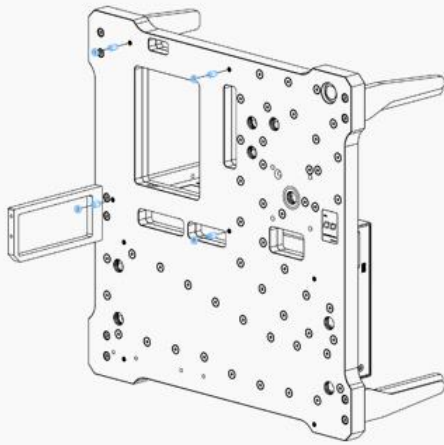
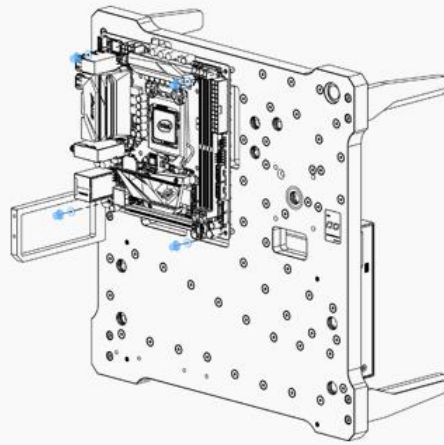


Installation example

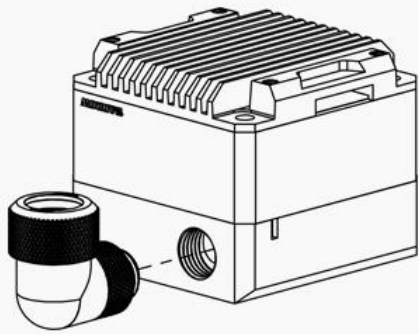




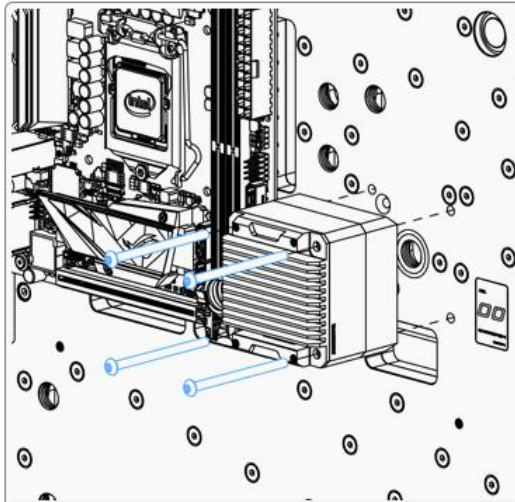
⑤ Install the motherboard copper column and gasket as shown in the figure.



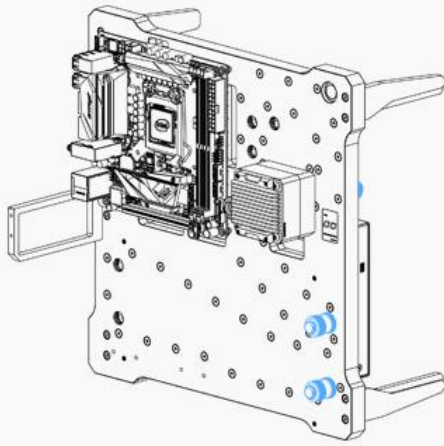
⑥ Use spring screw and thin gasket to fix the motherboard.



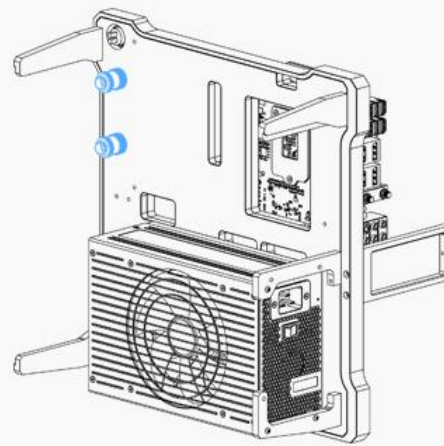
⑦ Connect the pump and the fitting.



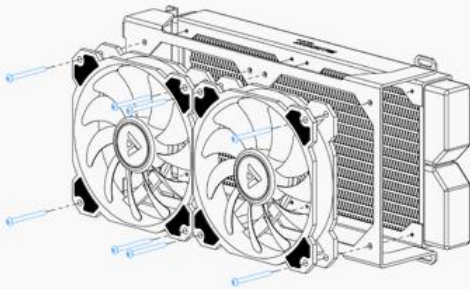
⑧ Adjust the fixed direction and install the pump



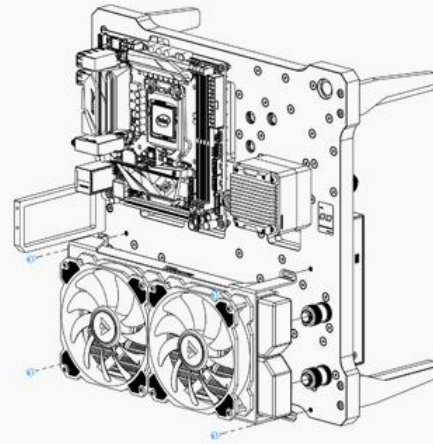
⑨ Install the fittings that connect the radiator.



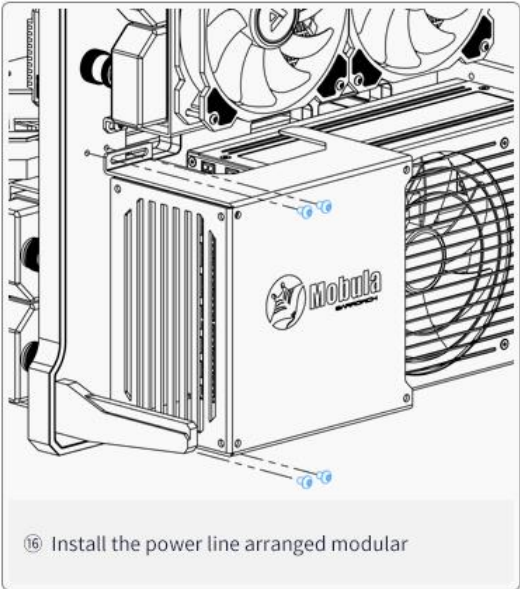
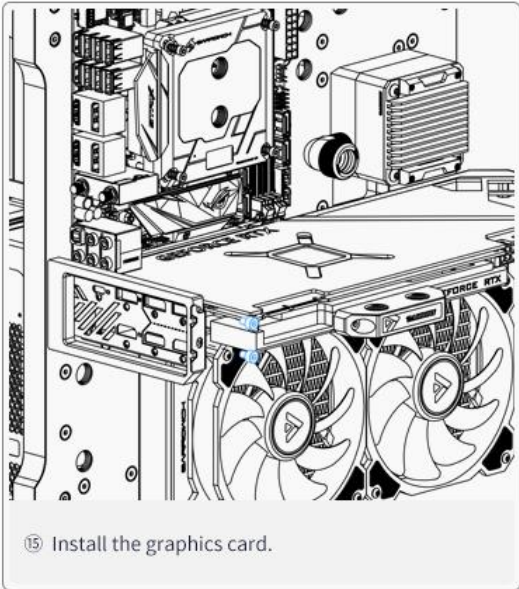
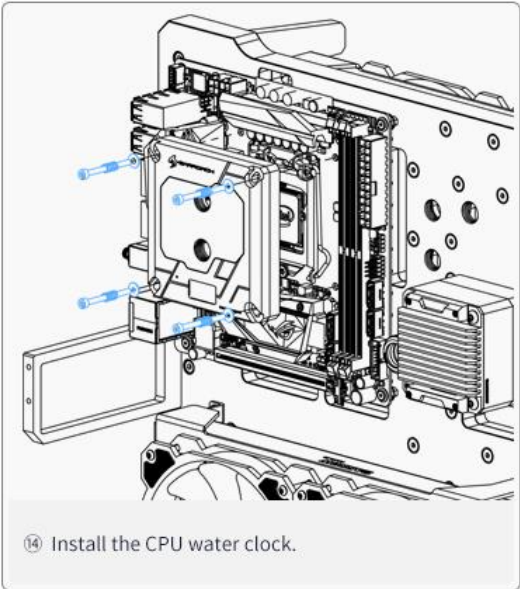
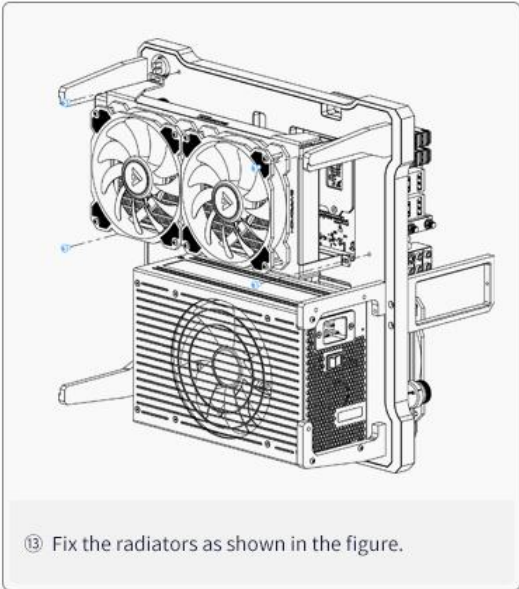
⑩ Install the fittings that connect the radiator.

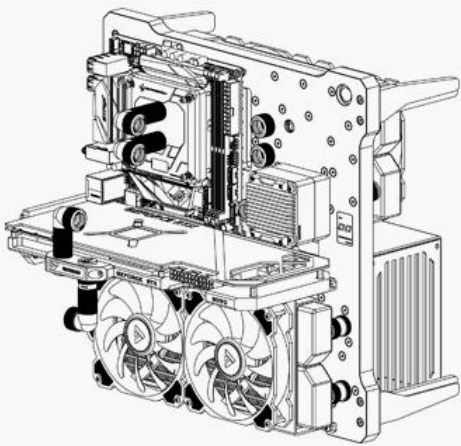


⑪ Assemble the radiator quickly installed bracket as shown in the figure.

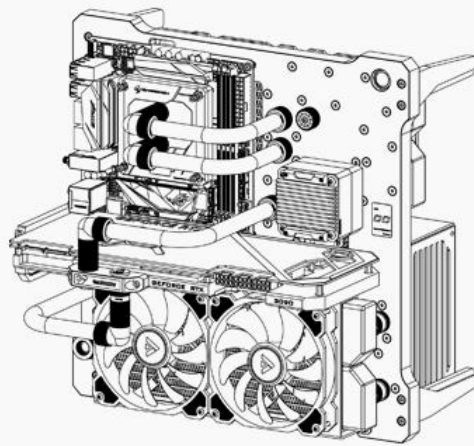


⑫ Fix the radiators as shown in the figure.





⑰ Install the fittings and run the pipe as shown in the figure.



⑱ The installation is complete