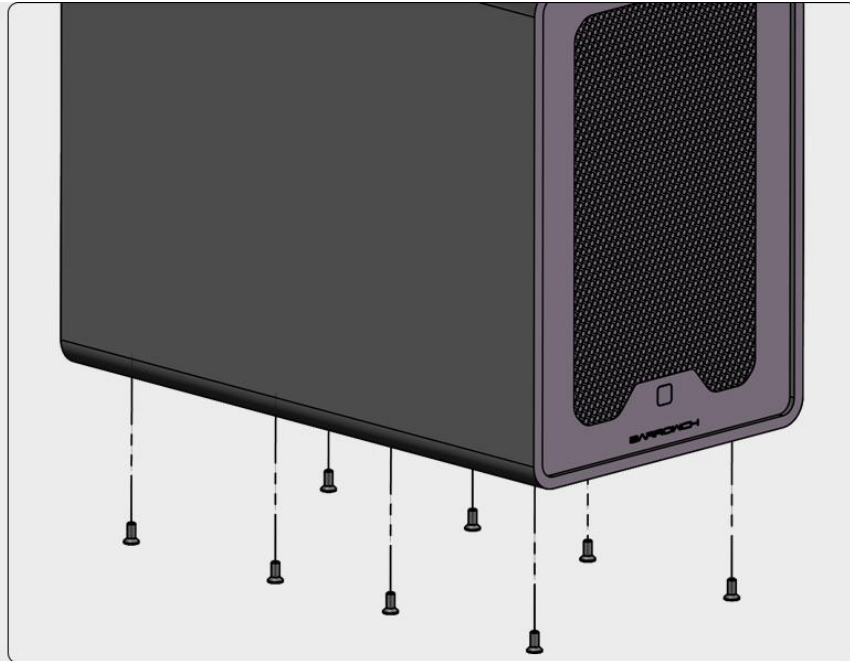


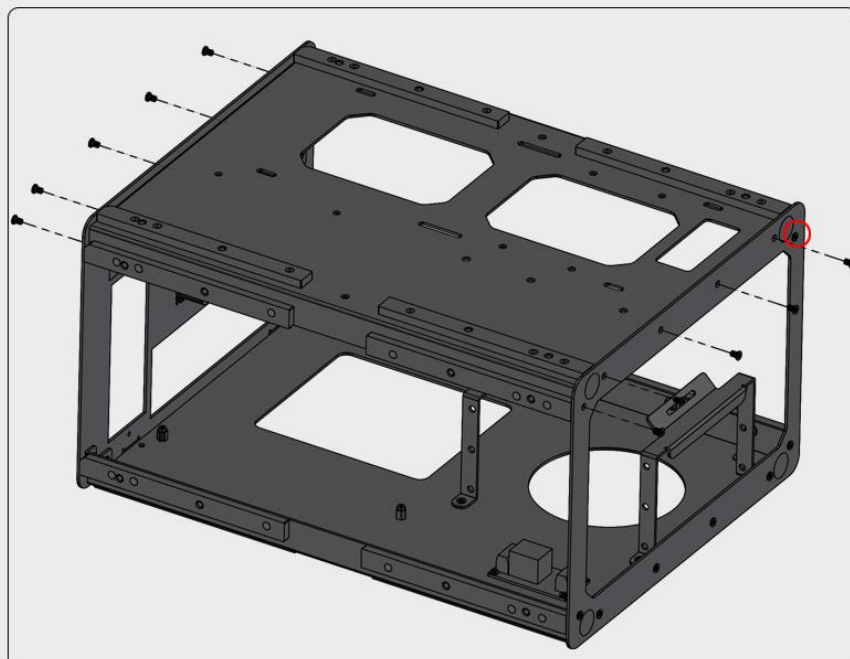
Install the tutorial of (Barrowch neoclassical ITX case)

Install tutorial

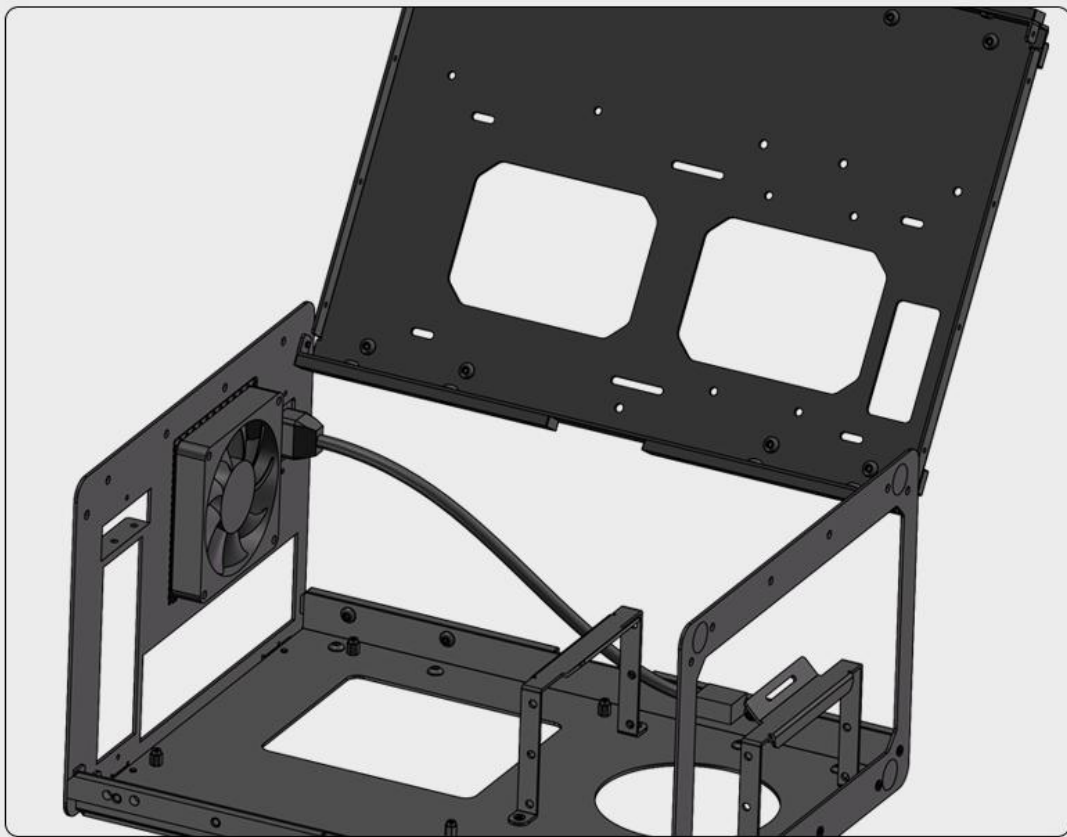
安装说明



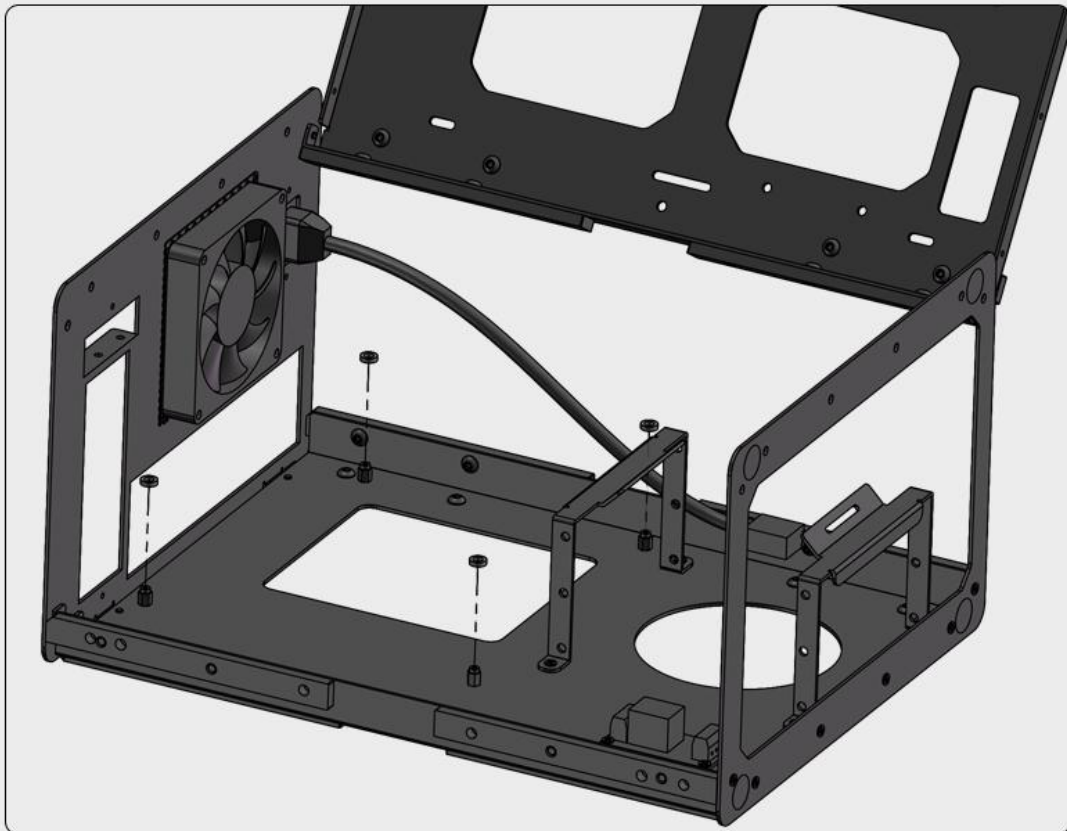
1.Remove the set screws on the bottom of the case with the wrench in the accessory bag



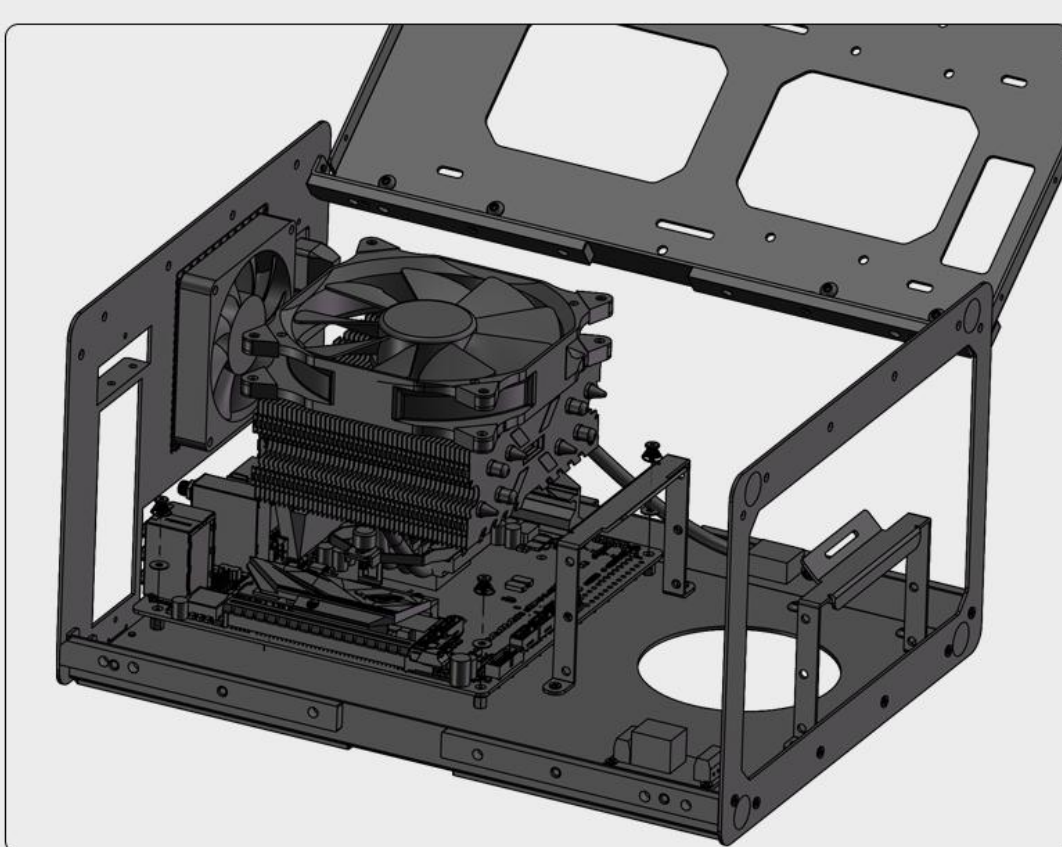
2.Remove the set screws on both sides of the main body frame of the case after drawing out the case body from the wooden case.
(keep the place marked in red and another screw on the opposite side of the radiator)



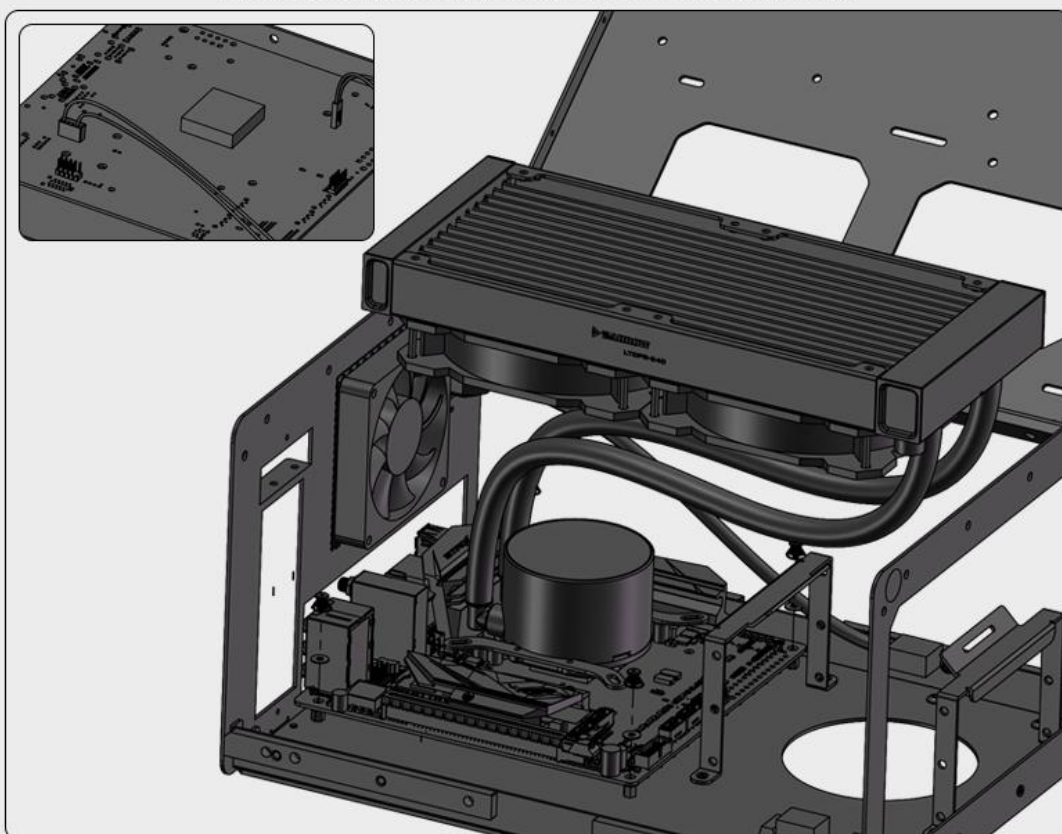
3. Open the upper cover of the case



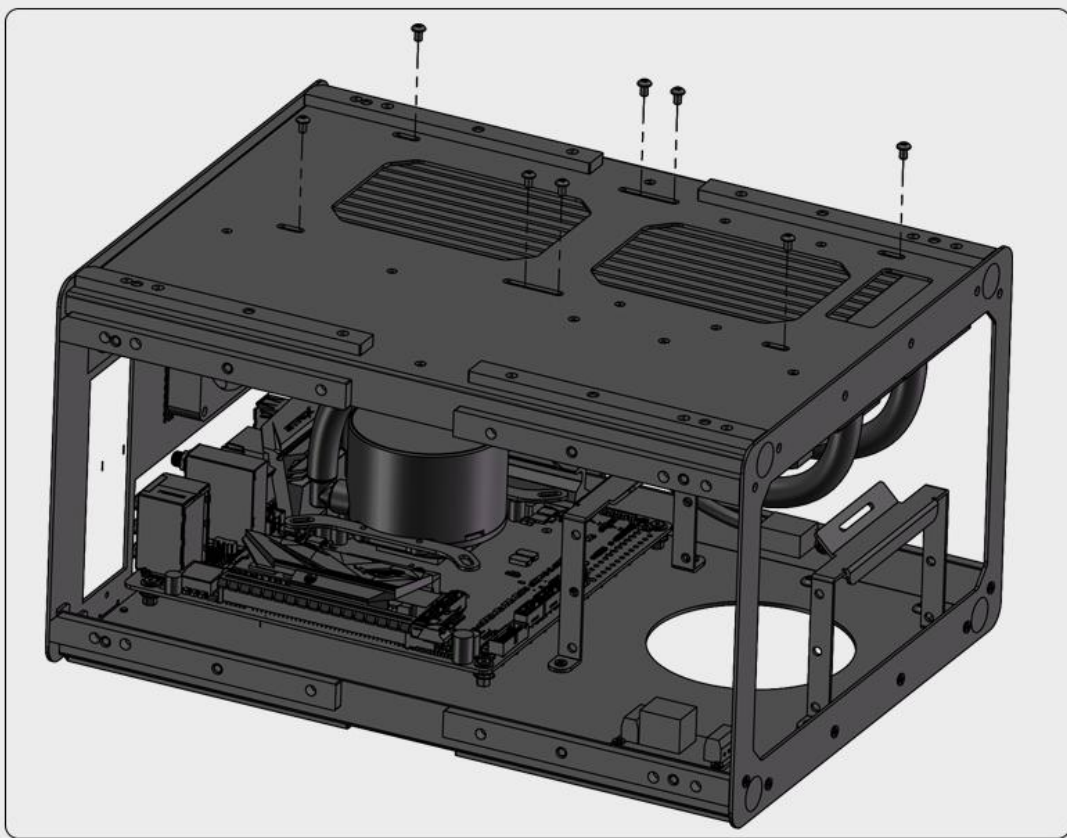
4. Place ABS gasket above the mainboard copper column



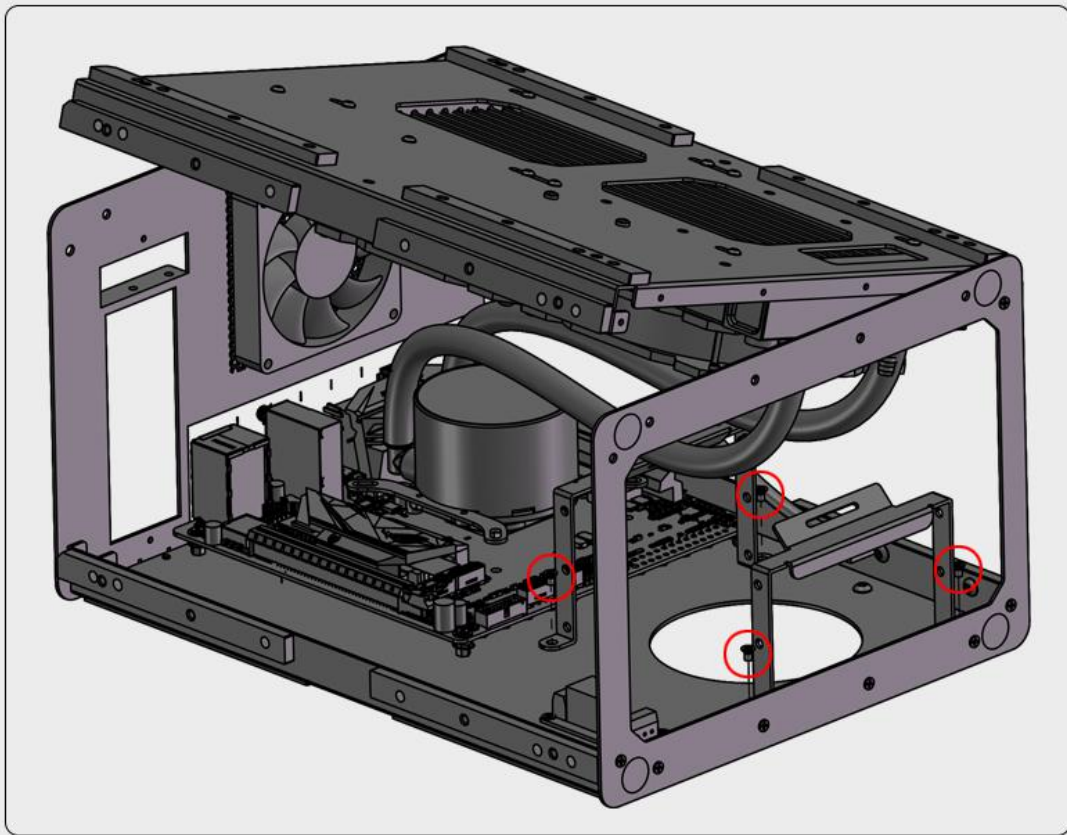
5. Fix the mainboard on the case after installing CPU radiator.
(the case is compatible with 140MM air-cooled radiator maximally)



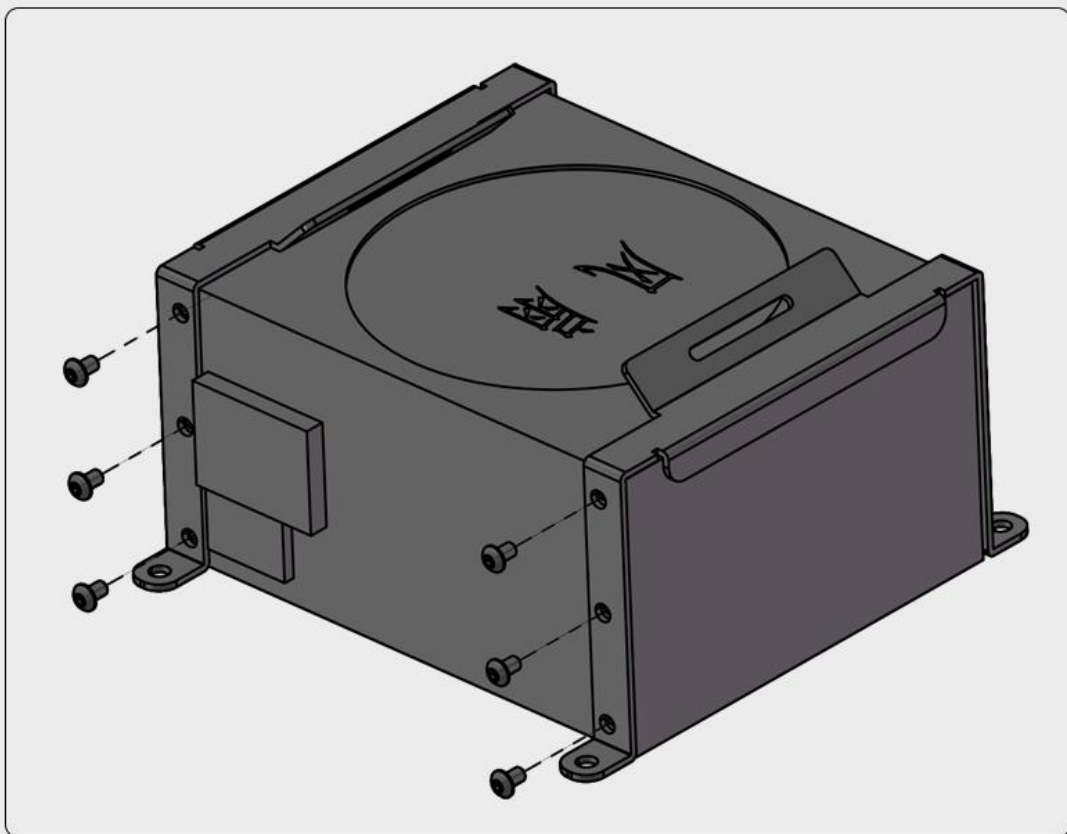
6. Install the mainboard on the case by installing CPU water-cooling block integrated and plug in the startup and shutdown jumper and USB power supply jumper.



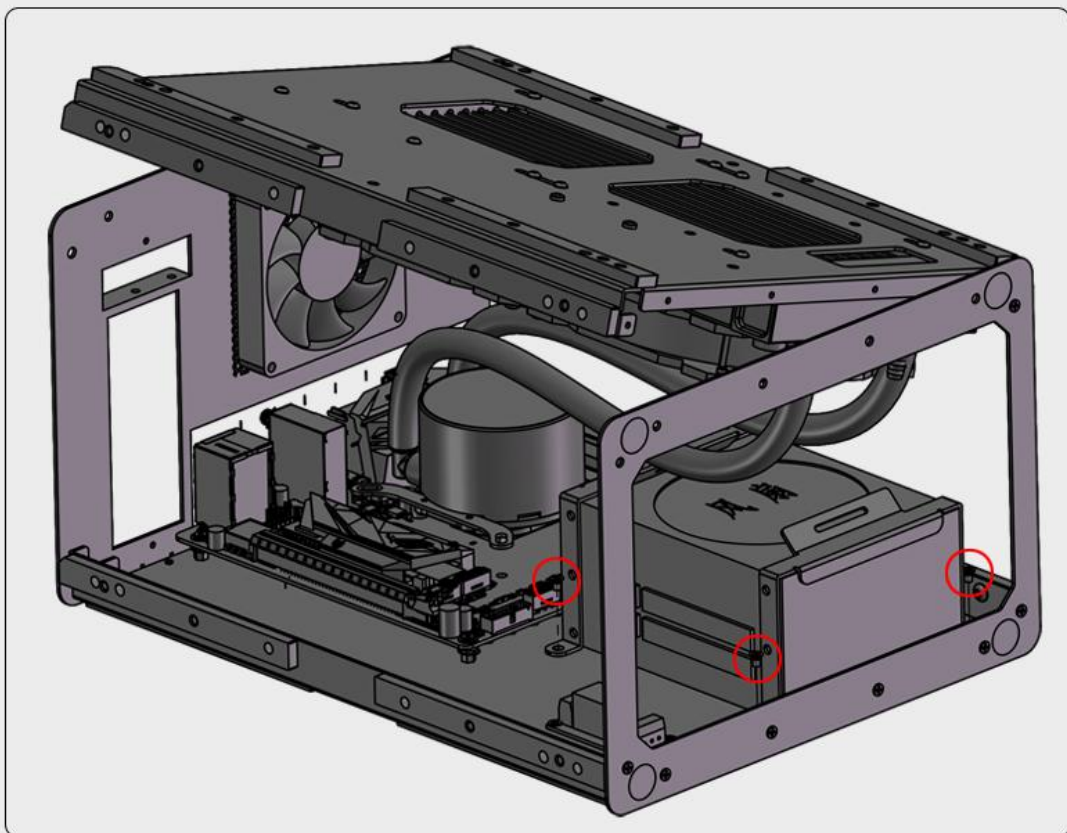
7. Install and fix the radiator



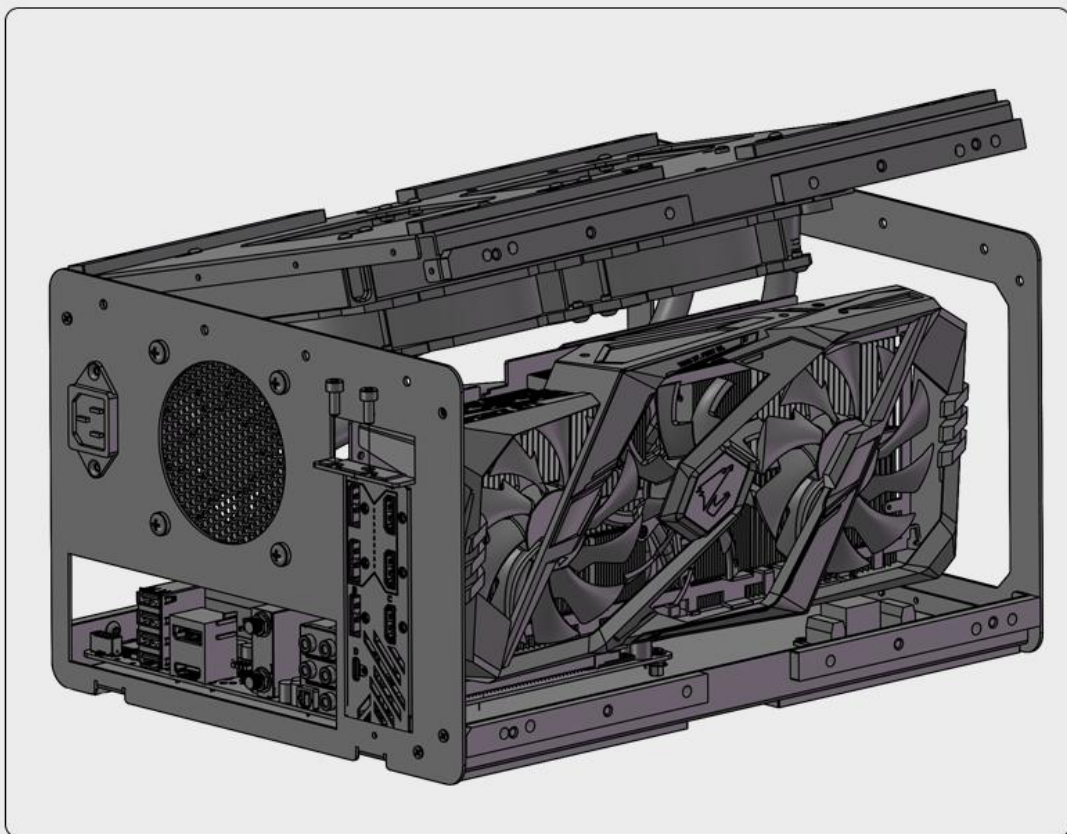
8. Dismantle the power supply support



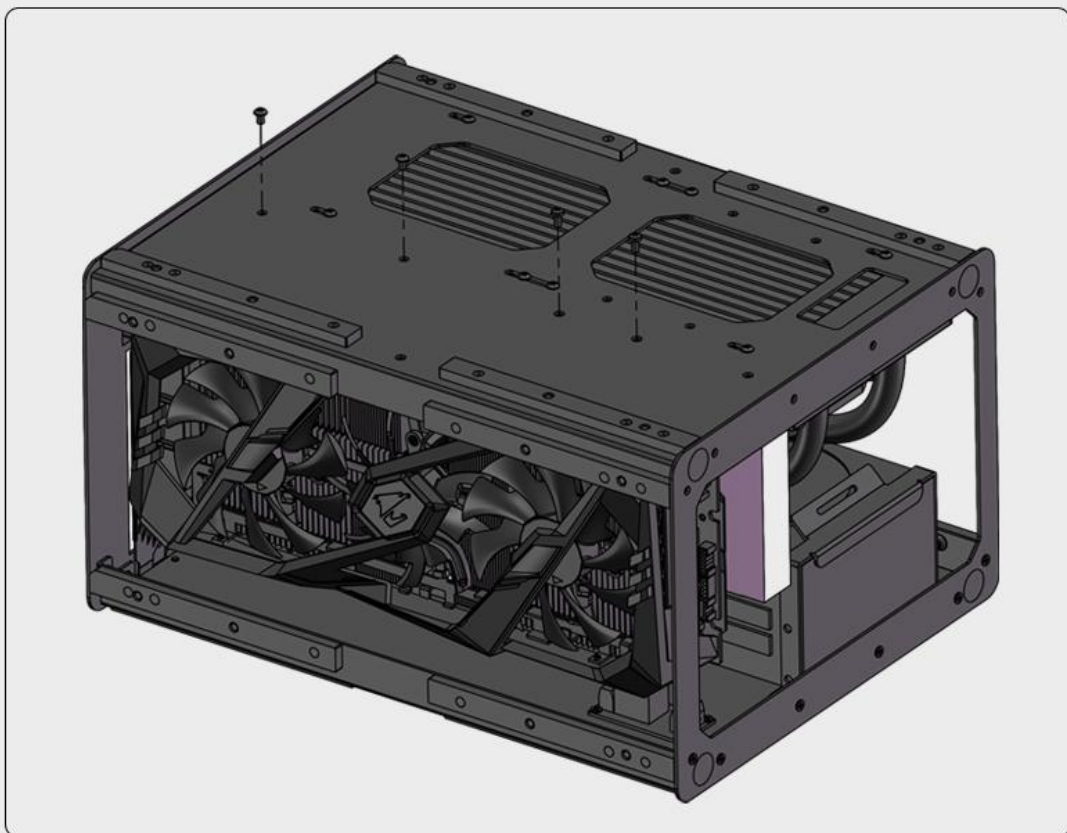
9. Install the power supply on the power supply support



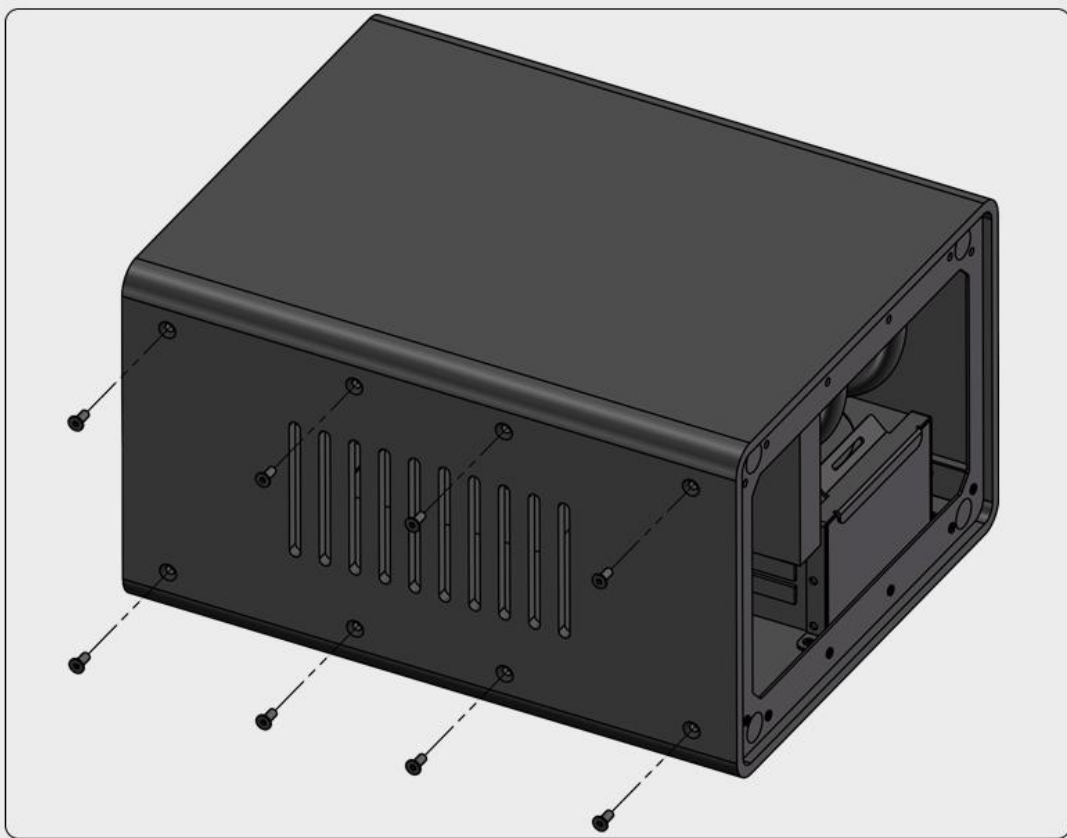
10. Reinstall the power supply support and connect the supply lines of each interface



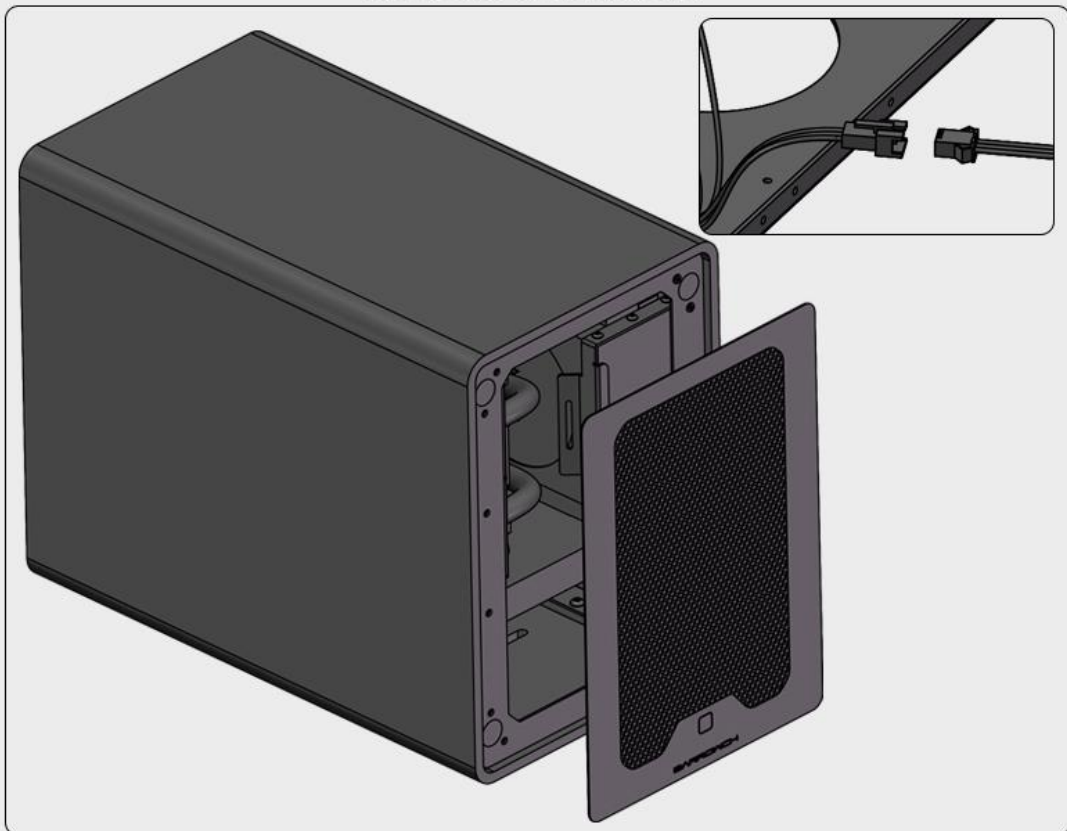
11. Install GPU card



12. Install the SSD and HDD



13. Install the set screws on the bottom of the case after pushing the main body frame of the case into the wooden shell



14. Plug in the connecting lines of touch modules and install the front glass panel of the case